

INTER-RROW MOWER

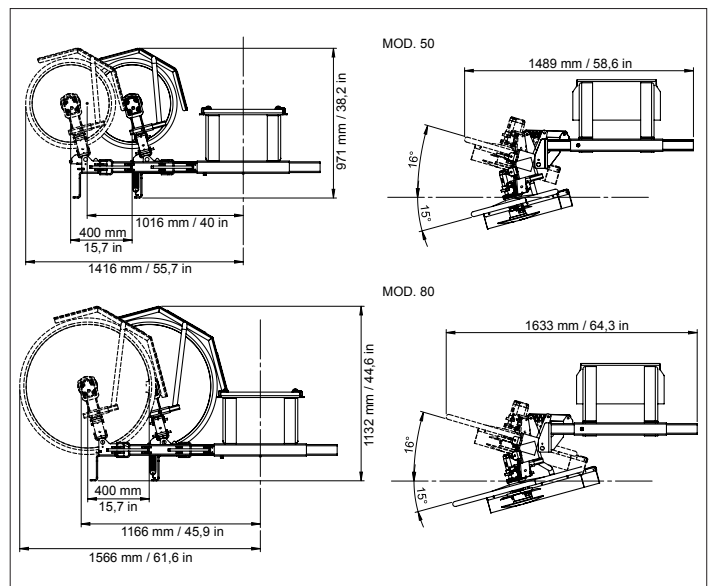
<http://tiny.cc/interrow>



FEATURES & BENEFITS

- Hydraulic shock absorber
- Abrasion resistant guard
- Floating system
- Automatic extension and return system

The inter-row mower is designed to cut grass and shrubs around trees, guard rails, traffic signs, and other obstacles. The floating mower system allows the mower disk to automatically follow ground contours. This system provides excellent productivity and an even cut.



Model	Mowing disk diameter	Weight	Code	Price
50	50 cm (19.7 in)	108 kg (238 lbs)	C890705	
80	80 cm (31.5 in)	115 kg (254 lbs)	C890706	

Compatibility	M14	MK	MZ	M28	S520	S525	S60+	6.3	7.3	8.4	SL835	SL840	9.5	GT960	9.6	GT960	10
Model																	
50																	
80																	

Very compatible
 Compatible
 Not compatible

